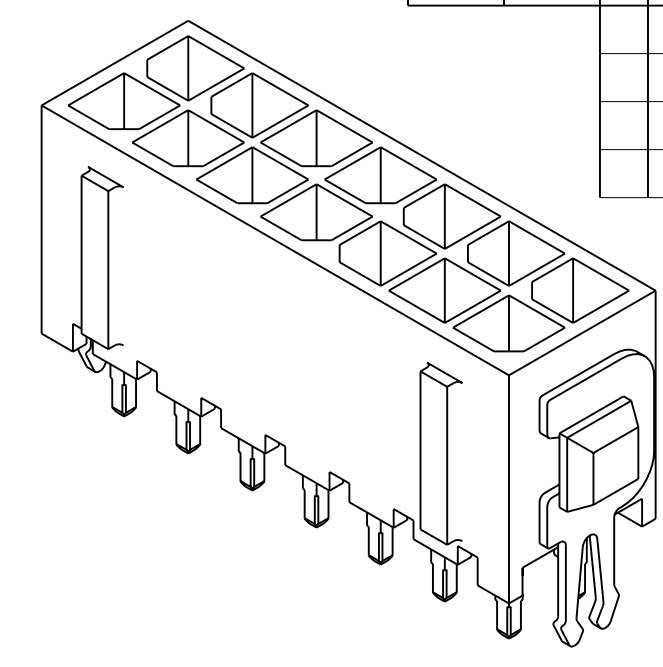
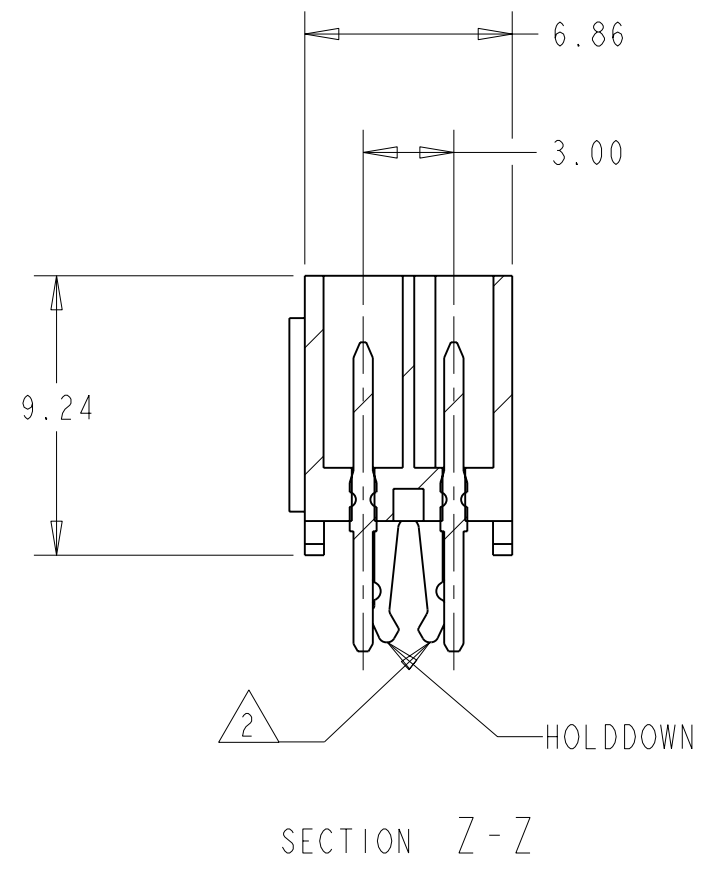
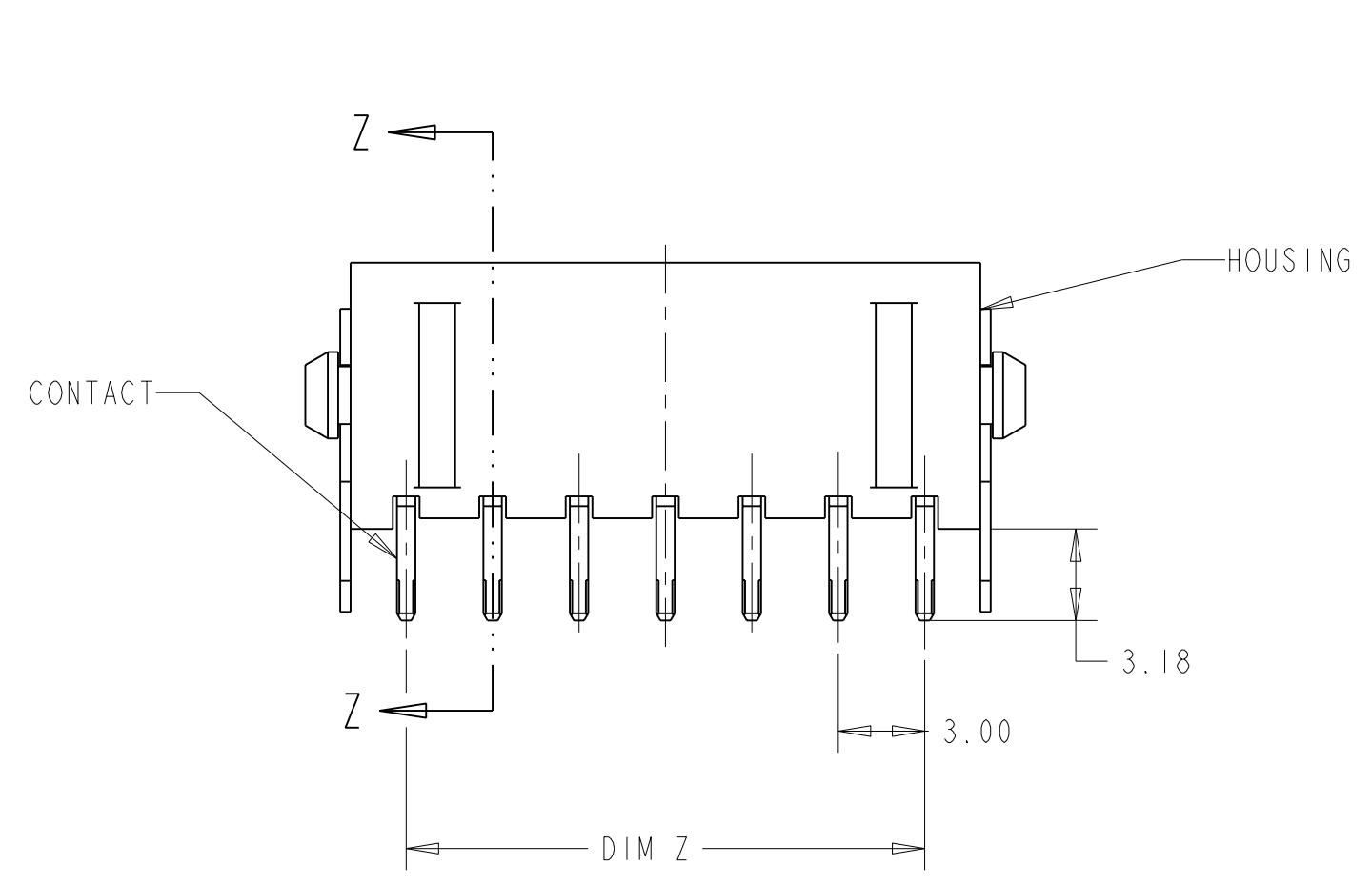
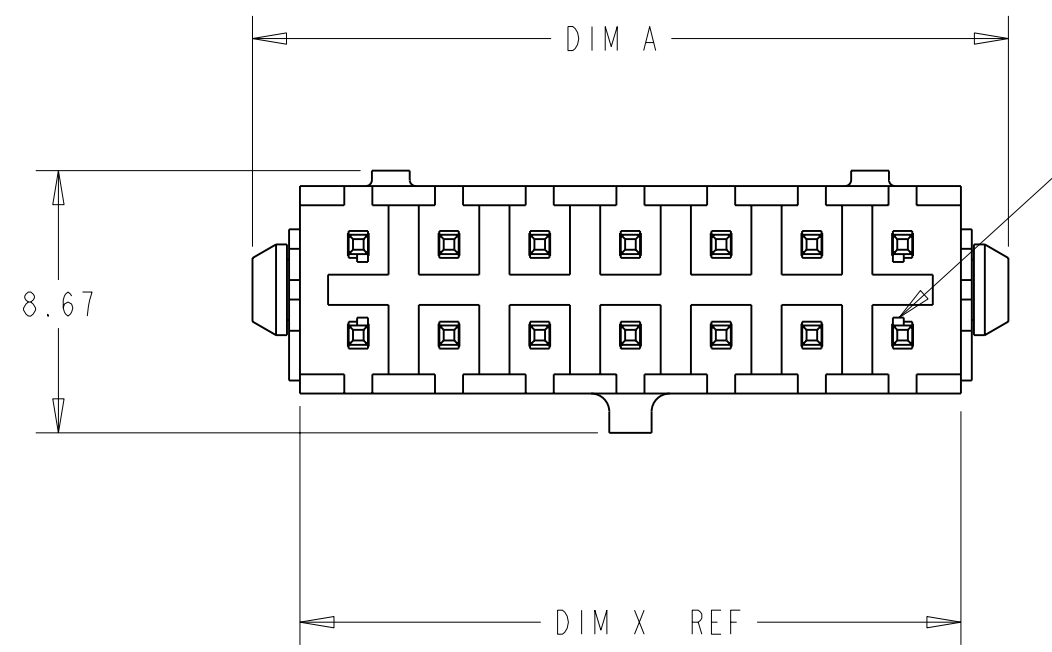


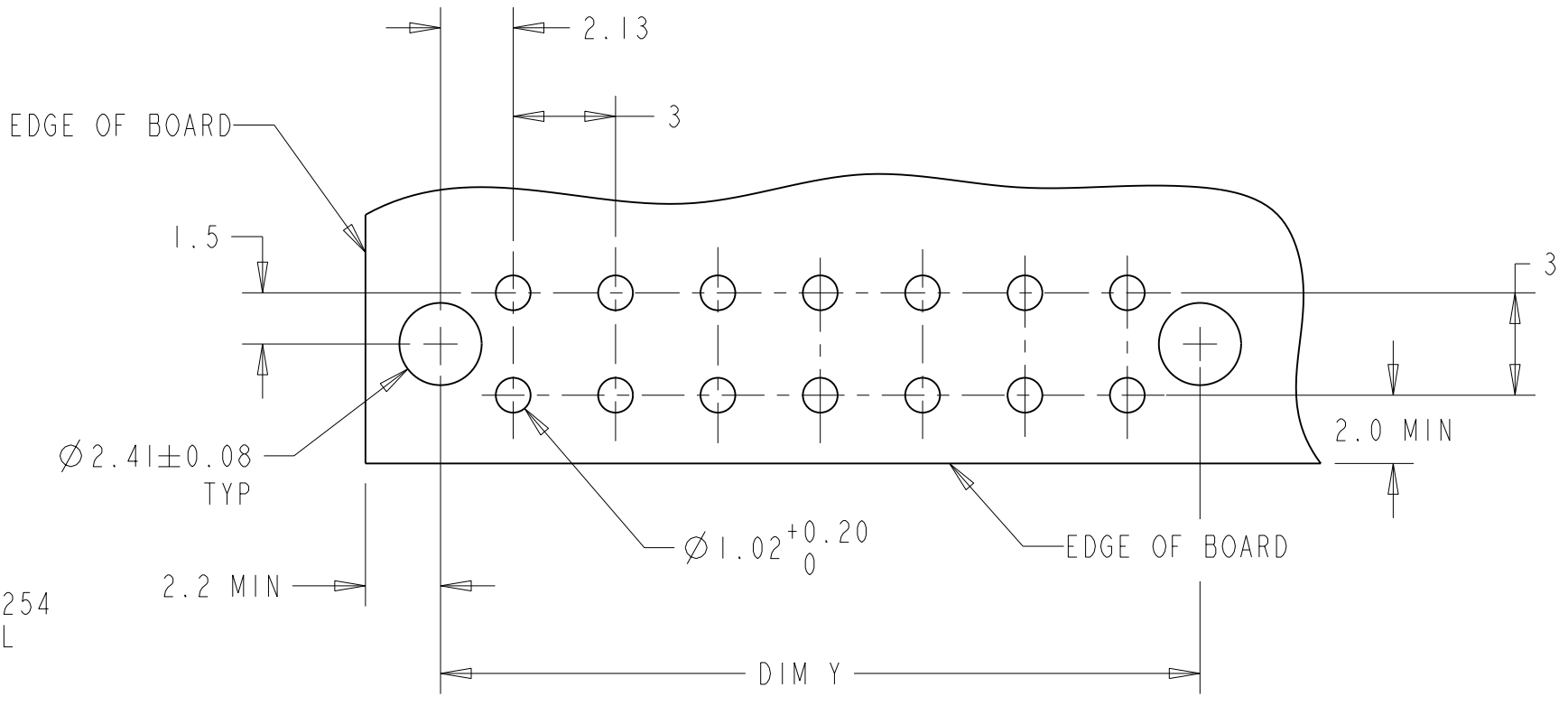
LOC		DIST		REVISIONS			
P	LTR	DESCRIPTION	DATE	DWN	APVD		
CM	00	E	REVIS PER 0G3B-0209-05	26APR05	KW	CJ	



3 DIMENSIONAL MODEL



RETENTION FEATURE LOCATED ON END CONTACTS ONLY
 4 PLC REF



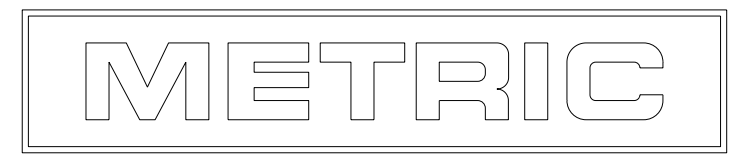
RECOMMENDED MOUNTING HOLE PATTERN SCALE 5:1

1 MATERIAL: HOUSING - NYLON, UL 94V-0, BLACK.
 CONTACT - BRASS.
 0.000762 MINIMUM GOLD OVER 0.00254 MINIMUM NICKEL ON MATING AREA. 0.00254 TIN-LEAD MINIMUM OVER 0.00254 NICKEL MINIMUM ON SOLDER TAILS.
 HOLDDOWNS: PHOSPHOR BRONZE, .00254 TIN-LEAD.

2 MAXIMUM INSERTION 30 LBS.
 3 RECOMMENDED BOARD THICKNESS 1.57.

4 MATERIAL: HOUSING - NYLON, UL 94V-0, BLACK.
 CONTACT - BRASS.
 0.000762 MINIMUM GOLD OVER 0.00254 MINIMUM NICKEL ON MATING AREA. 0.00254 MATTE TIN MINIMUM OVER 0.00254 NICKEL MINIMUM ON SOLDER TAILS.
 HOLDDOWNS: PHOSPHOR BRONZE, .00254 MATTE TIN.

FINISH	DIM A	DIM Z	DIM Y	DIM X	NO. OF POSN.	PART NUMBER
4	40.00	33.00	37.30	36.86	24	5-794682-4
4	37.00	30.00	34.30	33.86	22	5-794682-2
4	34.00	27.00	31.30	30.86	20	5-794682-0
4	31.00	24.00	28.30	27.86	18	4-794682-8
4	28.00	21.00	25.30	24.86	16	4-794682-6
4	25.00	18.00	22.30	21.86	14	4-794682-4
4	22.00	15.00	19.30	18.86	12	4-794682-2
4	19.00	12.00	16.30	15.86	10	4-794682-0
4	16.00	9.00	13.30	12.86	8	3-794682-8
4	13.00	6.00	10.30	9.86	6	3-794682-6
4	10.00	3.00	7.30	6.86	4	3-794682-4
4	7.00	-	4.30	3.86	2	3-794682-2
1	40.00	33.00	37.30	36.86	24	2-794682-4
1	37.00	30.00	34.30	33.86	22	2-794682-2
1	34.00	27.00	31.30	30.86	20	2-794682-0
1	31.00	24.00	28.30	27.86	18	1-794682-8
1	28.00	21.00	25.30	24.86	16	1-794682-6
1	25.00	18.00	22.30	21.86	14	1-794682-4
1	22.00	15.00	19.30	18.86	12	1-794682-2
1	19.00	12.00	16.30	15.86	10	1-794682-0
1	16.00	9.00	13.30	12.86	8	794682-8
1	13.00	6.00	10.30	9.86	6	794682-6
1	10.00	3.00	7.30	6.86	4	794682-4
1	7.00	-	4.30	3.86	2	794682-2



THIS DRAWING IS A CONTROLLED DOCUMENT FOR TYCO ELECTRONICS CORPORATION. IT IS SUBJECT TO CHANGE AND THE CONTROLLING ENGINEERING ORGANIZATION SHOULD BE CONTACTED FOR THE LATEST REVISION.

DIMENSIONS: mm [INCHES]	TOLERANCES UNLESS OTHERWISE SPECIFIED:	DWN B. HAYMAKER 16AUG99	AMP AMP Incorporated Harrisburg, PA 17105-3608
0 PLC ±	1 PLC ±	CHK K. COBLE 16AUG99	
2 PLC ±0.13 (.005)	3 PLC ±	APVD K. COBLE 16AUG99	NAME VERTICAL HEADER ASSEMBLY, THRU HOLE, 30 GOLD, DUAL ROW, MICRO MATE-N-LOK™
4 PLC ±	ANGLES ±	PRODUCT SPEC	
MATERIAL SEE TABLE	FINISH SEE TABLE	APPLICATION SPEC	SIZE A2 CAGE CODE 00779 DRAWING NO. C=794682 RESTRICTED TO
CUSTOMER DRAWING			SCALE 4:1 SHEET 1 OF 1 REV E